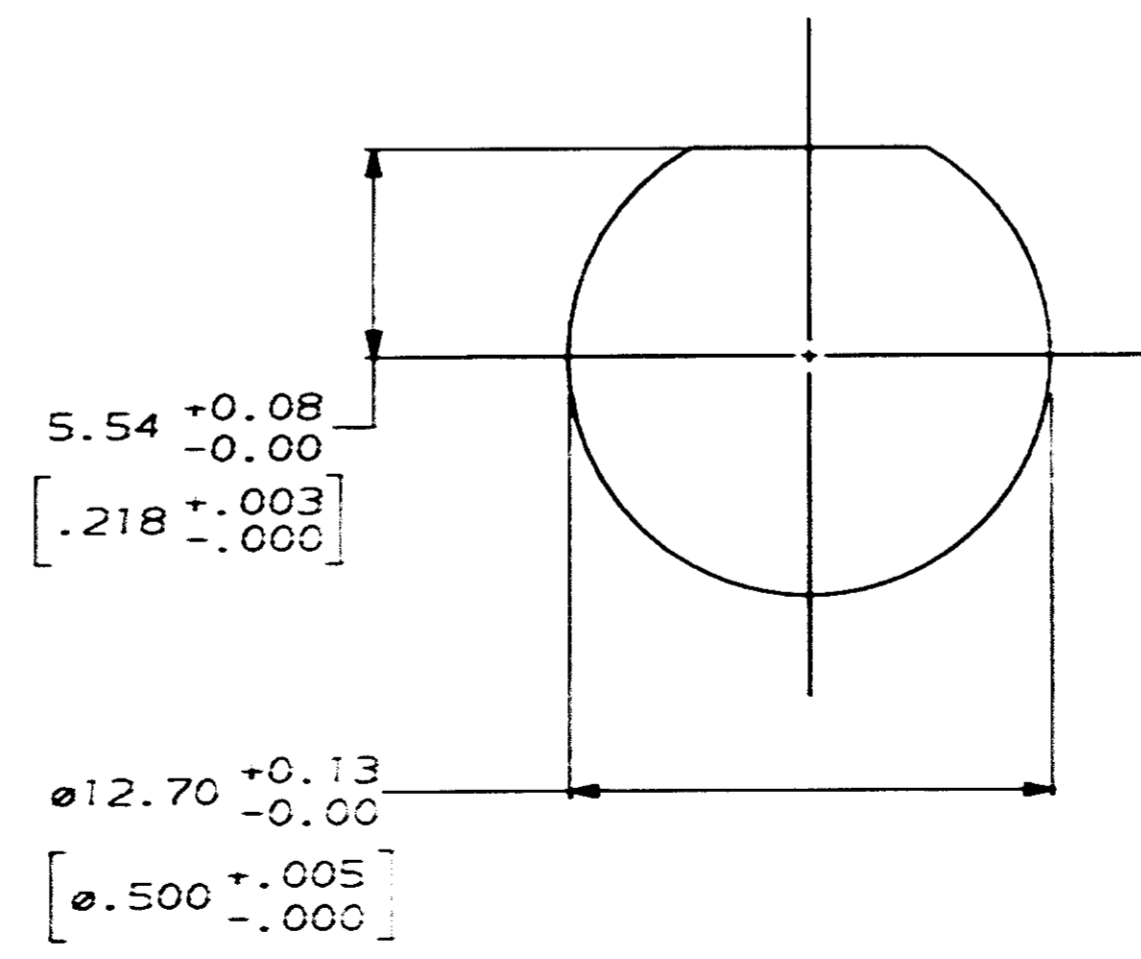
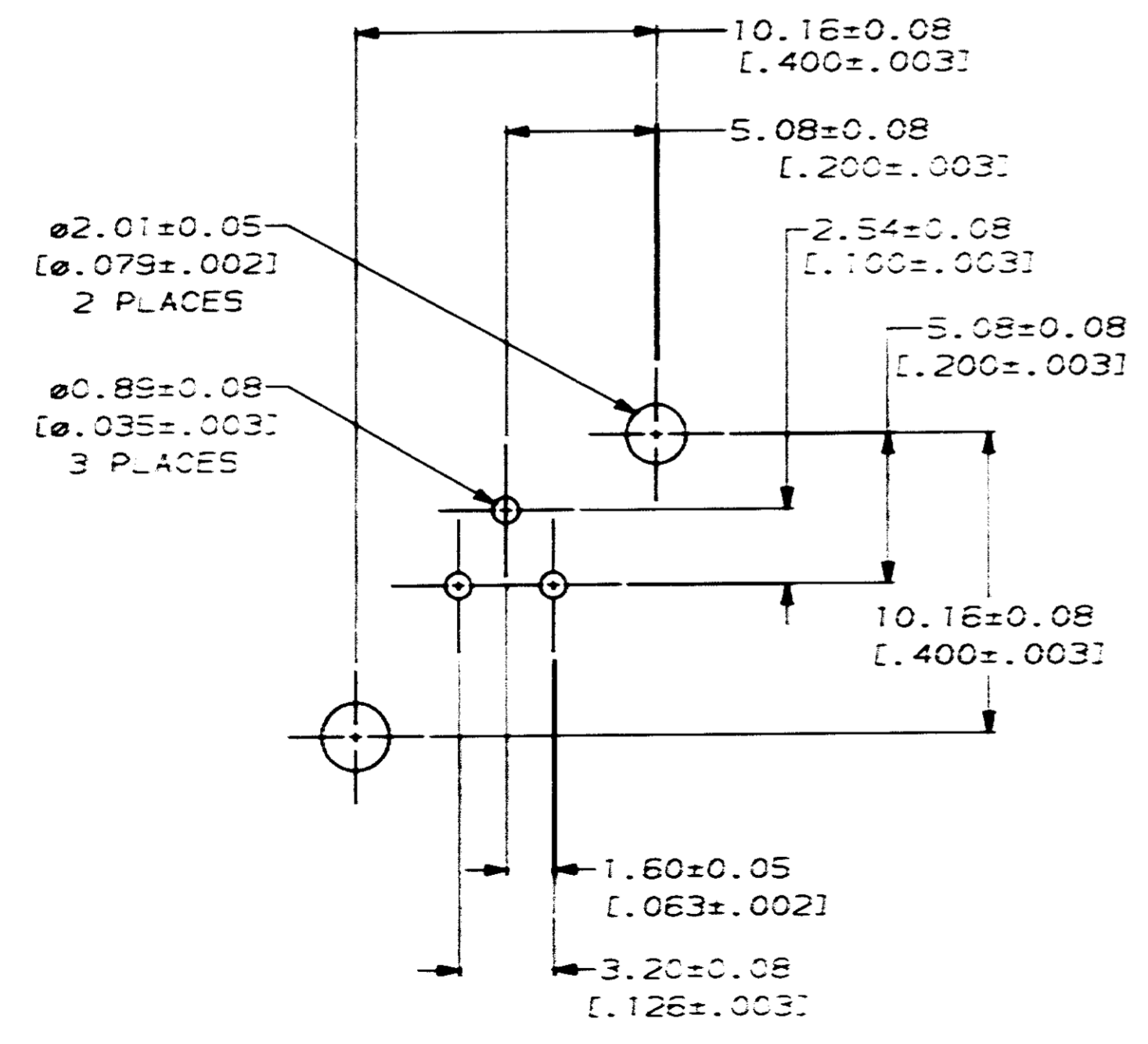


- 1 POLYESTER, PBT, 15% GLASS FIBER REINFORCED, NATURAL, PER MIL-M-24519.
- 2 ZINC PER QQ-Z-363.
- 3 POLYMETHYLPENTENE, GENERAL PURPOSE.
- 4 PHOSPHOR BRONZE PER QQ-B-750.
- 5 BRASS PER QQ-B-626.
- 6 BRASS PER ASTM-B-453.
- 7 NICKEL PL PER QQ-N-290, 3.81µm [0.000150] MINIMUM THICK
- 8 GOLD PL PER MIL-G-45204, 0.76µm [0.000030] MINIMUM THICK
- 9 TIN-LEAD PL PER ASTM-B-545 & MIL-P-81728, 3.81µm [0.000150] MINIMUM THICK



PCB CONFIGURATION

RECOMMENDED PANEL CUTOUT

DO NOT SCALE PRINT. UNLESS SPECIFIED DIMENSIONS IN INCHES! TOLERANCES ON: 2 PL DEC = 0.001008 3 PL DEC = - ANGLES = -		DR 10/22/90 R.E.P.™	228697-2 PART NO	
CHK 3-8-91 A 3484V	APPD 3-8-91 1 3484V	AMP Incorporated Morgantown, PA 17105-3608		
MATERIAL 1 2 3 4 5	APPD 3-8-91 1 3484V	NAME JACK, VERTICAL, PCB, SERIES TWIN BNC		
FINISH 6 7 8 9	PRODUCT SPEC 108-12078	SIZE D	CAGE CODE 00779	DRAWING NO 228697
	APPLICATION SPEC -	SCALE 5:1	SHEET 1 OF 1	